

UKACO

on the research done with it and its effectiveness as a broadcast treatment instrument. The technical name for this in psychic research is Psycho-kinetics, action-at-a-distance with an invisible force.

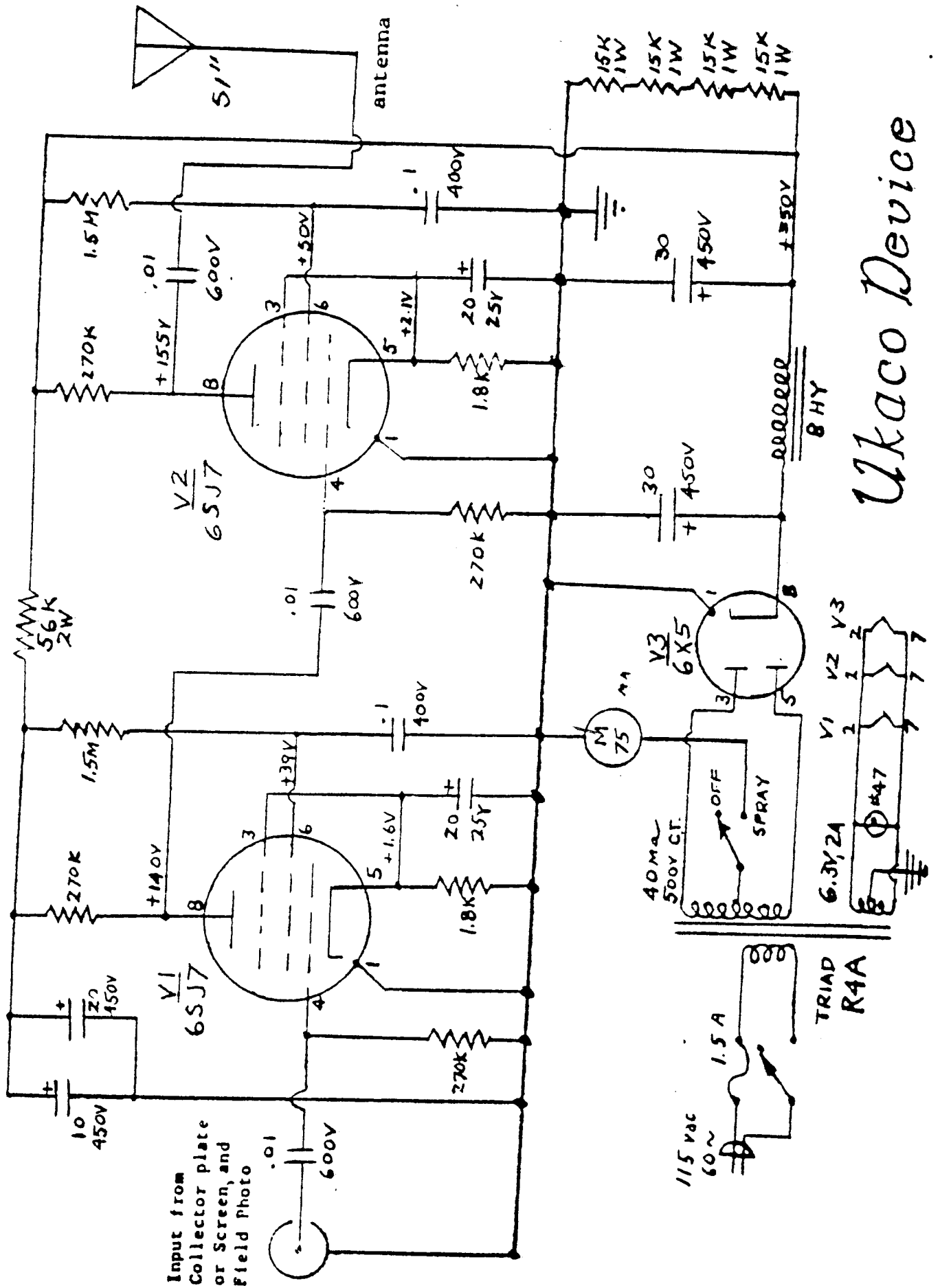
"Fortune" magazine did an article on UKACO in 1952 and the University of Pennsylvania farm bureau published a bulletin on it to encourage more experimentation and research. But the Radionics treatment of plants was a major threat to the Oil and Chemical trusts, to their multi-million dollar annual sale of pesticides.

The Santa Cruz area artichoke growers were losing over 90% of their crop to pests when Curtis Upton came along and persuaded one grower to give UKACO a try. It worked, of course, and the farmer harvested over 90% of his crop! So, Upton had eager customers for his services for the next growing season. But he was too successful. There was massive over-production of artichokes that year and the bottom fell out of the market. Nobody made any money but Upton.

A gleeful chemical salesman told his customers: "I warned you guys what would happen if you all went for that new-fangled contraption!" And to make sure that it wouldn't happen again the Oil and Chemical trust put their very effective lobby to work in California's state capital, Sacramento. Now, in this state, it is illegal to do any electronic or Radionic broadcast treatment of plants except for research purposes. More than likely there are similar laws on the books of Texas and other agricultural states.

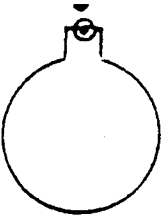
Now, with pollution of air, water and soil so much in the news, it is time to take up the torch laid down by Upton and Knuth at their passing years ago. Goodavage's articles on Radionics in the nationally distributed "Saga" magazine have helped renew interest in this Aquarian Age science. We do our bit with the addition of the Gerald article and UKACO schematic to this brochure, enough to give any dedicated borderland researcher a start.

Note that the UKACO device is basically an amplifier, not a transmitter. The 6SJ7 tubes called for, sharp cutoff Pentodes, are generally used in amplifier circuits. These are the old, large tubes of the 1940s, as is the 6X5 rectifier. They may still be available but expensive. Acceptable miniature substitutes would probably be the 6X4 and 6EJ7s, and they're cheaper. At inflated 1970s prices, cost of parts will probably be over \$40. The later, miniature tubes have a different internal structure so be sure to consult a tube manual for proper connections. Triad's modern R 104A power transformer has the same characteristics as the older, obsolete R4A. Good luck.



Ukaco Device

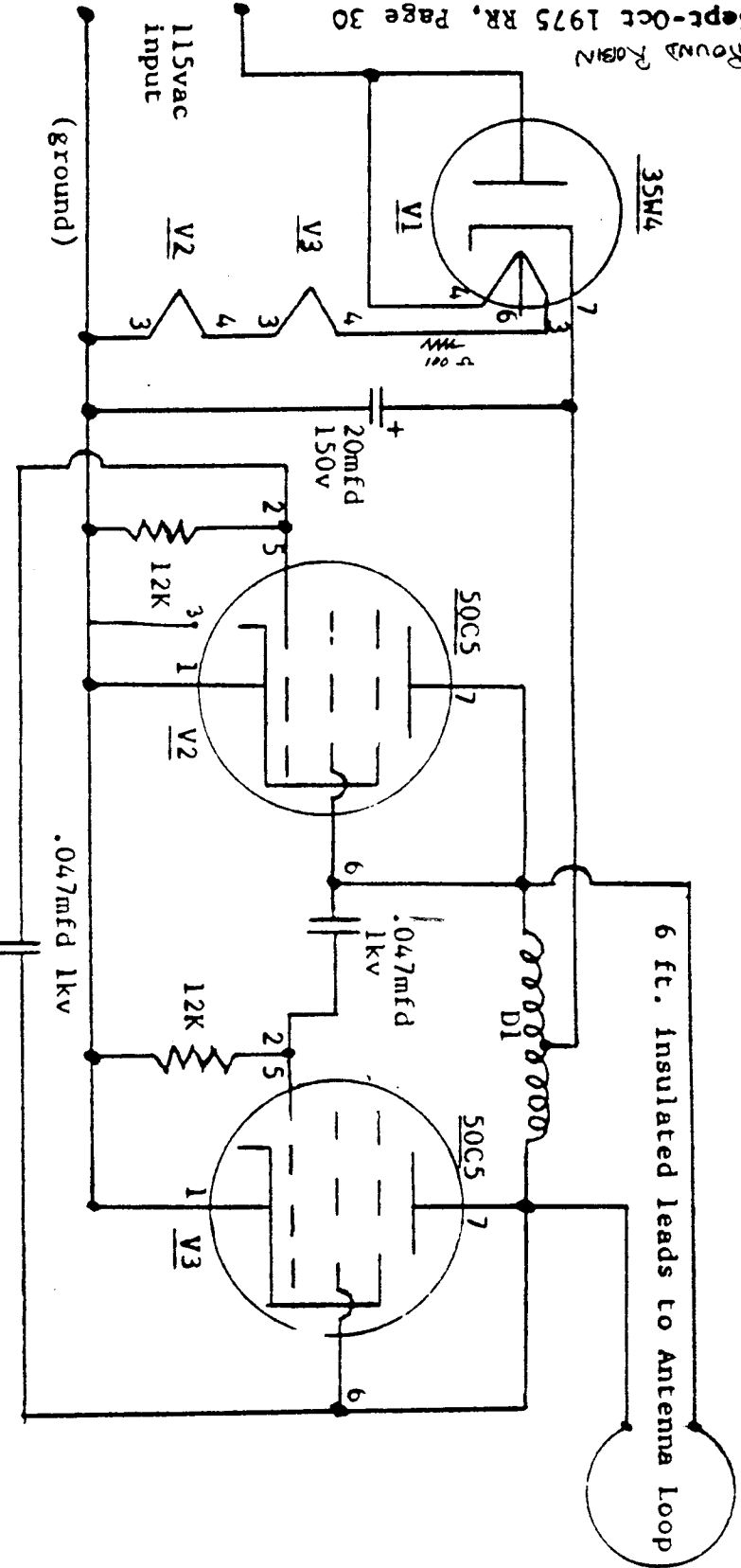
UKACO



Test loop of #18 bare wire, 7 7/8" dia, connected to #47 bulb. Bulb should glow when TL is laid over Antenna loop.

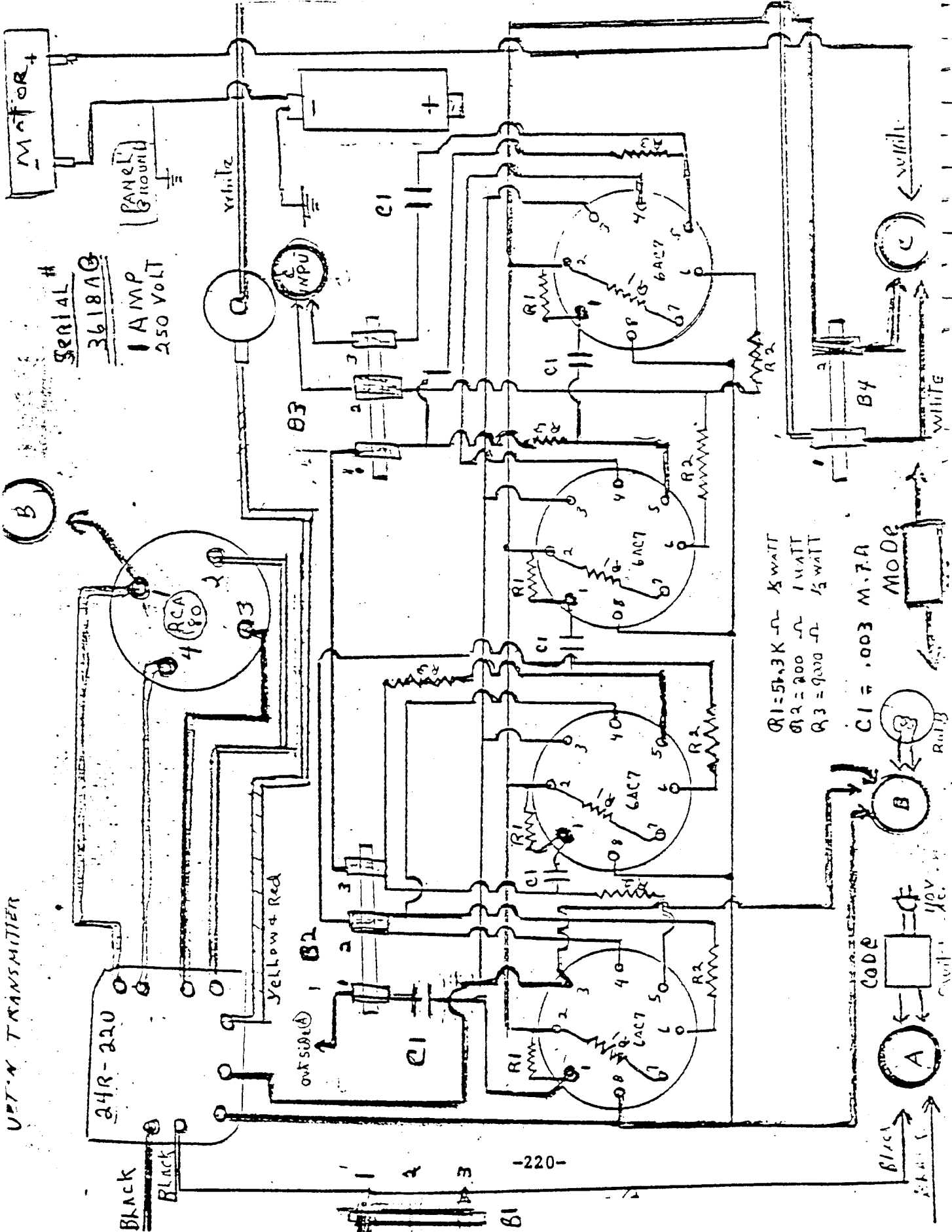
Antenna is a 7 5/8" loop of heavy insulated #14 copper wire. Lead wire and connections to loop should be well insulated. Laid on any area of the body, the combined radio and TV waves tend to stimulate the flow of vital energy and blood there, relieving congestion and promoting new cell growth, and accelerating the elimination of waste matter. Radio research has found that tumors cannot survive in concentrated, pulsing magnetic fields of this kind.

D1 is a hand wound coil of hookup wire, 8 turns, 3/8" diameter, 3/4" long, center tapped.



ROUND ROBIN
Sept-Oct 1975 RR, Page 30
Phetnix - Radlocast
BS RF

UPT-A TRANSMITTER



SERIAL #
3618AG
1 AMP
250 VOLT

$R1 = 5K \Omega$ - 5 WATT
 $R2 = 200 \Omega$ - 1 WATT
 $R3 = 9000 \Omega$ - 1/2 WATT
 $C1 = .003 \text{ M.F.R.}$

CODE \square \square \square
 MODE \square

(B)

A

B

B

B4

C

WHITE

WHITE

WHITE

WHITE

WHITE

WHITE

Sheet. 2.

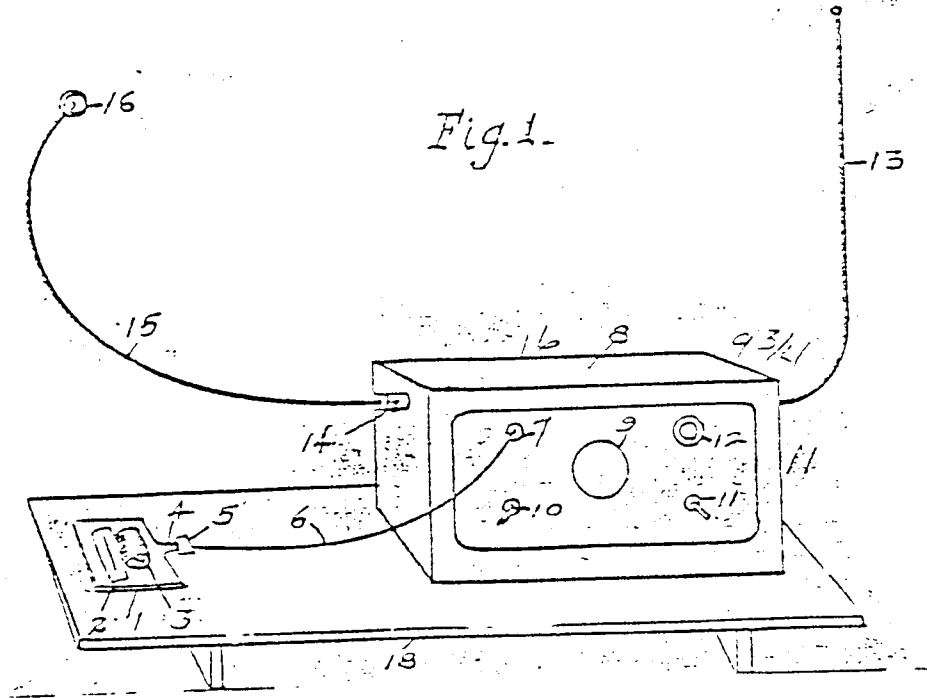
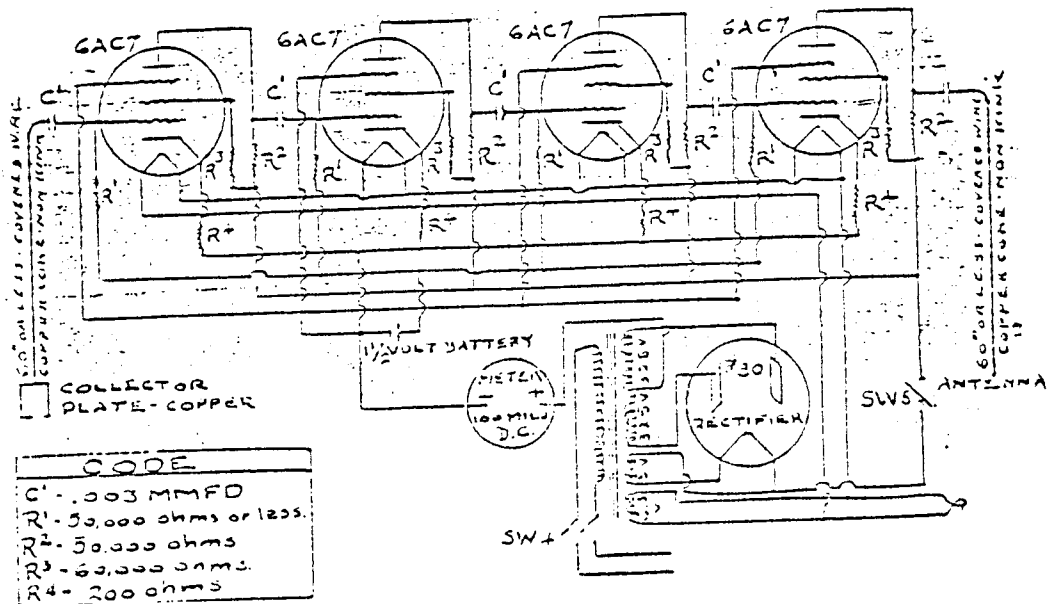
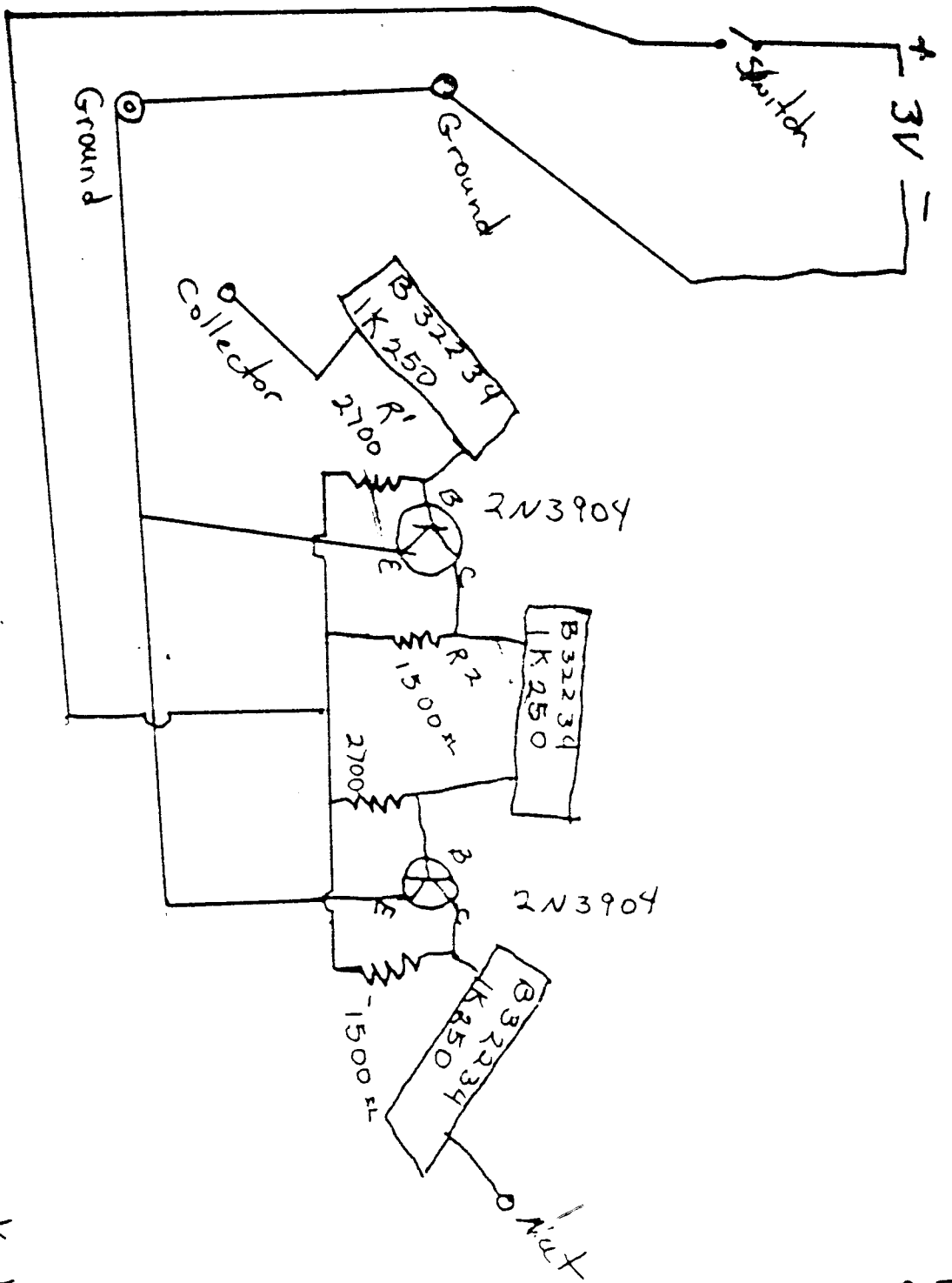


Fig. 2.

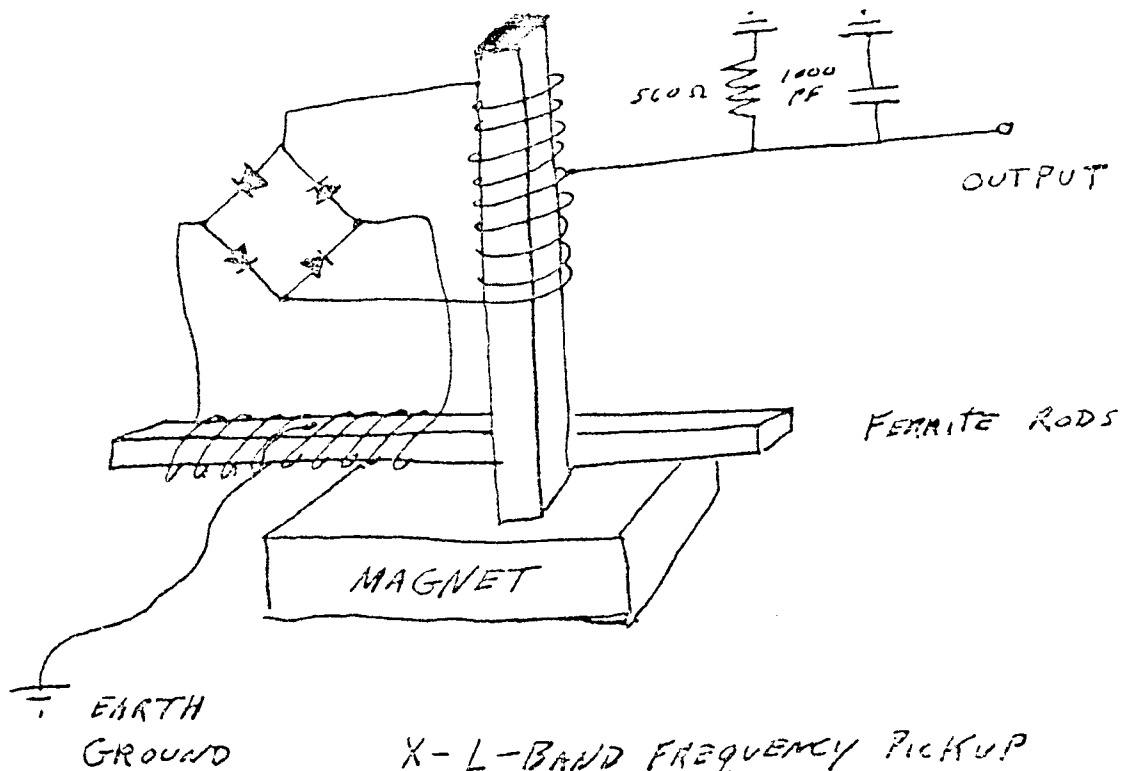




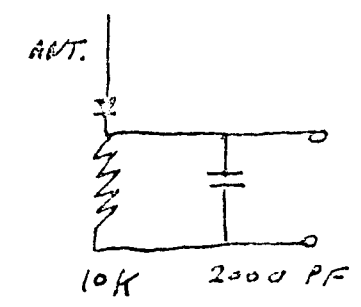
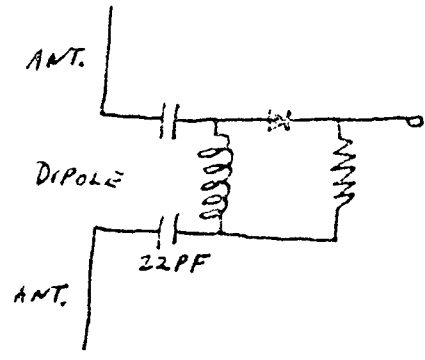
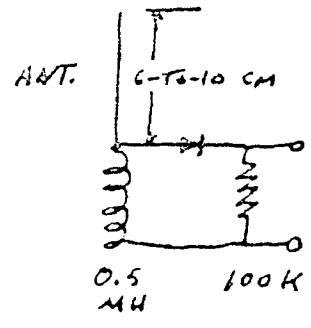
R_1 - Red-Violet-Green-Yellow
 R_2 - Brown-Green-Orange

UKAKU
 Homeelectronics Foundation
 Penn.

J.G. Gallimore: Handbook of Unusual Energies



X-L-BAND FREQUENCY PICKUP
 WITH MODULATION DETECTOR
 CONNECT TO TAPE RECORDER
 FOR RAUDIVE VOICES - OR
 USE FOR ESP DEVICE.



OTHER HI-FREQ. DETECTORS
 RAUDIVE